

HOPPER SCREEN QUOTE/ORDER FORM

(For Project-In Hopper Windows)

Extruded Aluminum

FRAME SIZE: (✓ Check One of the Diagrams to the right)

FRAME COLOR: (✓ Check One) Bronze White Mill

Black Painted Clear Anodized Bronze Anodized

SCREEN MESH: (✓ Check One)

Charcoal Aluminum Brite Aluminum Stainless Steel

Charcoal Fiberglass Gray Fiberglass Bronze

HARDWARE: Pivot Pins, Plungers, and 4 Hanger Keepers Provided

1/2" X 1" X .062

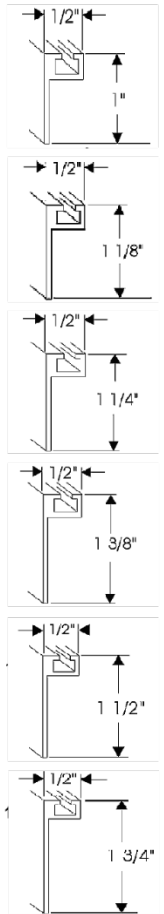
1/2" X 1 1/8" X .062

1/2" X 1 1/4" X .062

1/2" X 1 3/8" X .062

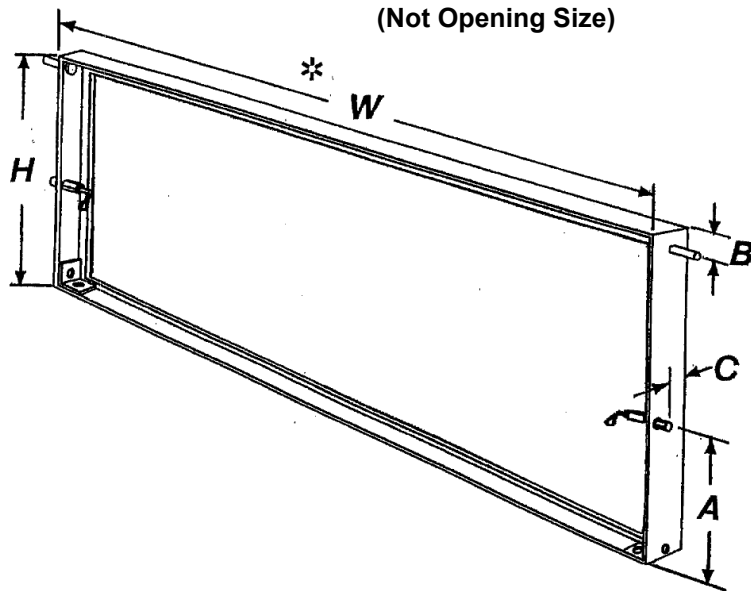
1/2" X 1 1/2" X .062

1/2" X 1 3/4" X .062



Quantity Required: _____ W: _____ H: _____

* INDICATE ACTUAL SCREEN FRAME SIZE AS INDICATED BY ARROWS
(Not Opening Size)



A = Bottom edge of screen to center of hardware

B = top edge of screen to center of hardware

C = distance from edge of screen to center of hardware (spline side)

Customer Name: _____

Customer No.: _____

Address: _____

Phone Number: _____

City: _____ State: _____

Zip Code: _____

Blaine Project & Service Ctr
17319 Blaine Drive
Hagerstown, MD 21740
P: 240-329-5240
F: 301-791-6982

All screens are custom manufactured to your specifications. Please verify the screen frame dimensions and placement of all hardware. There are no credits, exchanges, or returns allowed.

Approved by: _____ Date: _____

Email: Projects@BlaineWindow.com

Website: BlaineProject.com

Rev. 2/19/20